

## NSE Module Offerings

### Routed Subscriber Module (RSM)

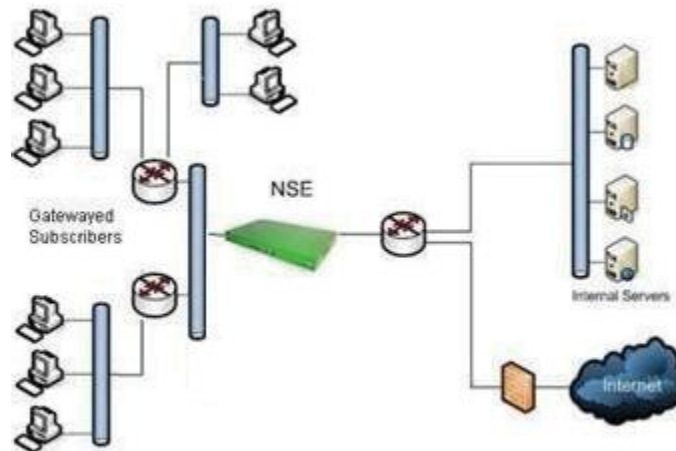
The Nomadix Routed Subscriber module expands the versatility of the Nomadix offering by providing support for routed networks on the subscriber-side of the Nomadix device.

The module is designed for situations in which a layer-3 routed infrastructure must be supported on the subscriber side of the Nomadix device. For example, a situation may exist where different departments each require a separate logical network (with typical routed connections between them), but it is desired that users on each network are still able to make use of the Nomadix subscriber features with respect to the public internet. The Routed Subscriber module provides a mechanism to achieve this.

Some features that depend on the support of 802.1Q on the subscriber side cannot be supported if the subscriber-side routing network does not communicate 802.1Q information to the NSE. These features include 802.1P on the subscriber side, port-location and port-based policies. Limitations due to availability of 802.1Q on the subscriber side in layer-3 installations are equivalent to limitations in layer 2 installations.

All NSE features are enabled for layer-3 routed subscribers (see Flyer Supplement). Also, proper function of the feature requires that the subscriber-side DHCP service on the Nomadix gateway is utilized. Additionally, router-to-router communication across the Nomadix gateway (from the subscriber side to the network side) may not be supported if the subscriber-side gateway is not a “well-configured” device. The subscriber port on the Nomadix Gateway can connect to multiple routers.

RSM is currently supported on the Nomadix 5500 Access Gateway.



**Subscribers can be on any routed subscriber-side network.**